



# Stenca Trading

Penetration Seal for high fire demands

The seal and enclosure systems are manufactured according to strict quality control procedures and in accordance with the requirements of ISO 9001.



*Stenca*  
TRADING



# Stenca Trading

## Health & Safety

Stenca Trading's seals and enclosures are multi-component systems made up from ceramic and glass cloths and felts, metallic foils, silica areogel insulation and high grade stainless steels. Ceramic blankets have been replaced by body soluble silicate formulations and elastomeric and silicone membrane coatings have been tested and found to be totally innocuous under fire conditions. COSHH data sheets may be supplied with all of our systems.



*Stenca*  
TRADING



# Stenca Trading

## Approvals & Testing

All systems are tested by independent, accredited test houses such as the IMO approved Loss Prevention Council at Borehamwood and HSE Laboratories at Buxton.



Throughout testing, the systems have maintained their integrity, stability and insulation properties and accordingly carry certification issued by Lloyd's Register of Shipping, Det Norske Veritas or American Bureau of Shipping.



# Stenca Trading

## Hydrocarbon Fire Testing

After 2 hours exposure to temperatures over 1100 degC.

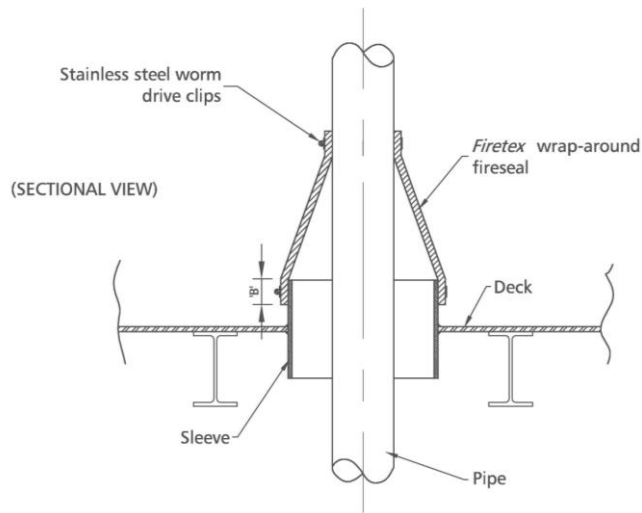


Pipe seal and module seal pre-test.



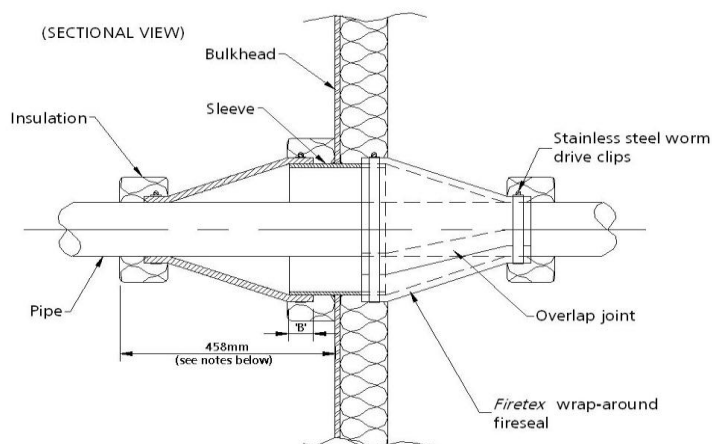
# Stenca Trading

## Firetex Pipe Penetration Seal to Suit A0 to H0 Applications



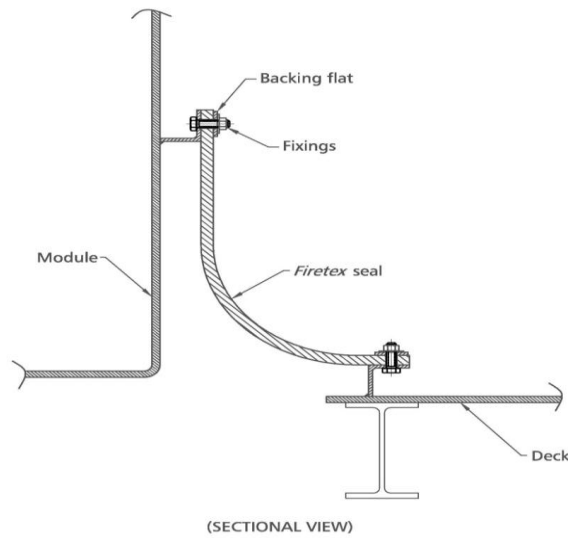
# Stenca Trading

## Firetex Pipe Penetration Seal to Suit H60 to H120 Application



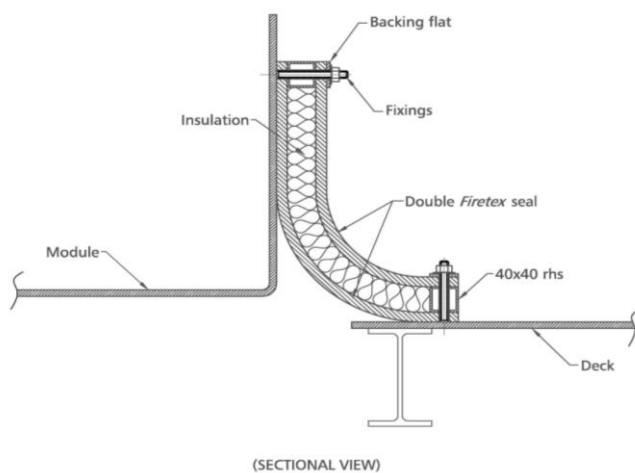
# Stenca Trading

## Firetex Module Skirt Seal to Suit A0 to H0 Application



# Stenca Trading

## Firetex Module Skirt Seal to Suit H60 to H120 Applications



# Stenca Trading

## Fully Certified Systems

Stenca Trading can offer certified systems to meet A0 & H0 and H60 to H120 hydrocarbon fire conditions with blast overpressures up to 1.35 bar g. Further enhancements qualify these systems for J30, J60 and J120 applications.



### CERTIFICATE OF FIRE APPROVAL

This is to certify that the product(s) described below will be accepted for compliance with the applicable Lloyd's Register Rules and Regulations for use on offshore installations (based on Lloyd's Register, and for use on offshore installations) when certified by contracting governments to issue the relevant certificates, licences, permits etc.

Manufacturer: MCT, United Ltd.

Address: MCT, House  
Adams Close  
Hawes Gate Industrial Estate  
Dunbar  
Dorchester, DT99 7DA  
United Kingdom (UK)

Type: PIPE PENETRATION (HYDROCARBON FIRE TEST)

Equipment Description: Single Pipe Penetration - Type: "FIBREX Multi-Layer Fabric Seal"

Specified Standard: DMS Specification A-37510 and IEC Department of Energy Hydrocarbon Line/Component Relationship

The attached Design Approval Document forms part of this certificate.  
This certificate remains valid unless modified or revoked, provided the conditions in the attached Design Approval Document are complied with and the equipment remains satisfactory in service.

Date of Issue: 30 November 2008      Expiry date: 29 November 2009

Certificate No.: SAG 010840      Signed:

Sheet No.: 1 of 2      Name: B. McDonald  
Secretary to Lloyd's Register (SEA)  
A Member of the Lloyd's Register Group

Note:  
This certificate is not valid for equipment, the design or manufacture of which has been varied or modified from the specifications stated. The manufacturer should notify Lloyd's Register of any modifications or changes to the equipment in order to obtain a valid Certificate.

THIS DOCUMENT IS SUBJECT TO THE PROVISIONS ON THE REVERSE



# Stenca Trading

## Locations

Do not hesitate to call us, if you need further information, or we can be helpful in any way at all.

Stenca Trading A/S, Denmark  
Tel.: +45 9632 4819  
E-mail: [info@stenca.dk](mailto:info@stenca.dk)  
Website: [www.stenca.dk](http://www.stenca.dk)

Stenca Trading GmbH, Germany  
Tel.: +49 (0) 172 4111 018  
E-mail: [ls@stenca.de](mailto:ls@stenca.de)  
Website: [www.stenca.com](http://www.stenca.com)

Stenca Trading AS, Norway  
Tel.: +47 917 09 415  
E-mail: [office@stenca.no](mailto:office@stenca.no)  
Website: [www.stenca.no](http://www.stenca.no)

