

CERTIFICATE OF FIRE APPROVAL

This is to certify that

The product detailed below will be accepted for compliance with the applicable Lloyd's Register Rules and Regulations, for use on offshore installations classed with Lloyd's Register, and for use on offshore installations when authorised by contracting governments to issue the relevant certificates, licences, permits etc.

Manufacturer	MCL Unitex Ltd.
Address	MCL House Adams Close Heanor Gate Industrial Estate Heanor Derbyshire, DE75 7SW United Kingdom (UK)
Type	STRUCTURAL STEEL JET FIRE PROTECTION SYSTEM
Description	Jet Fire Resisting Flexible Pipe Penetration Seals - Type: "J120 Firetex Pipe Penetration Seals"
Specified Standard	Health & Safety Executive, Offshore Technology Report OTI 95 634 "Jet Fire Resistance Test of Passive Fire Protection Materials"

The attached Design Appraisal Document forms part of this certificate.
This certificate remains valid unless cancelled or revoked, provided the conditions in the attached Design Appraisal Document are complied with and the equipment remains satisfactory in service.

Date of issue	15 February 2005	Expiry date	14 February 2010
---------------	------------------	-------------	------------------

Certificate No.	SAS F050037
-----------------	-------------

Signed	
--------	--

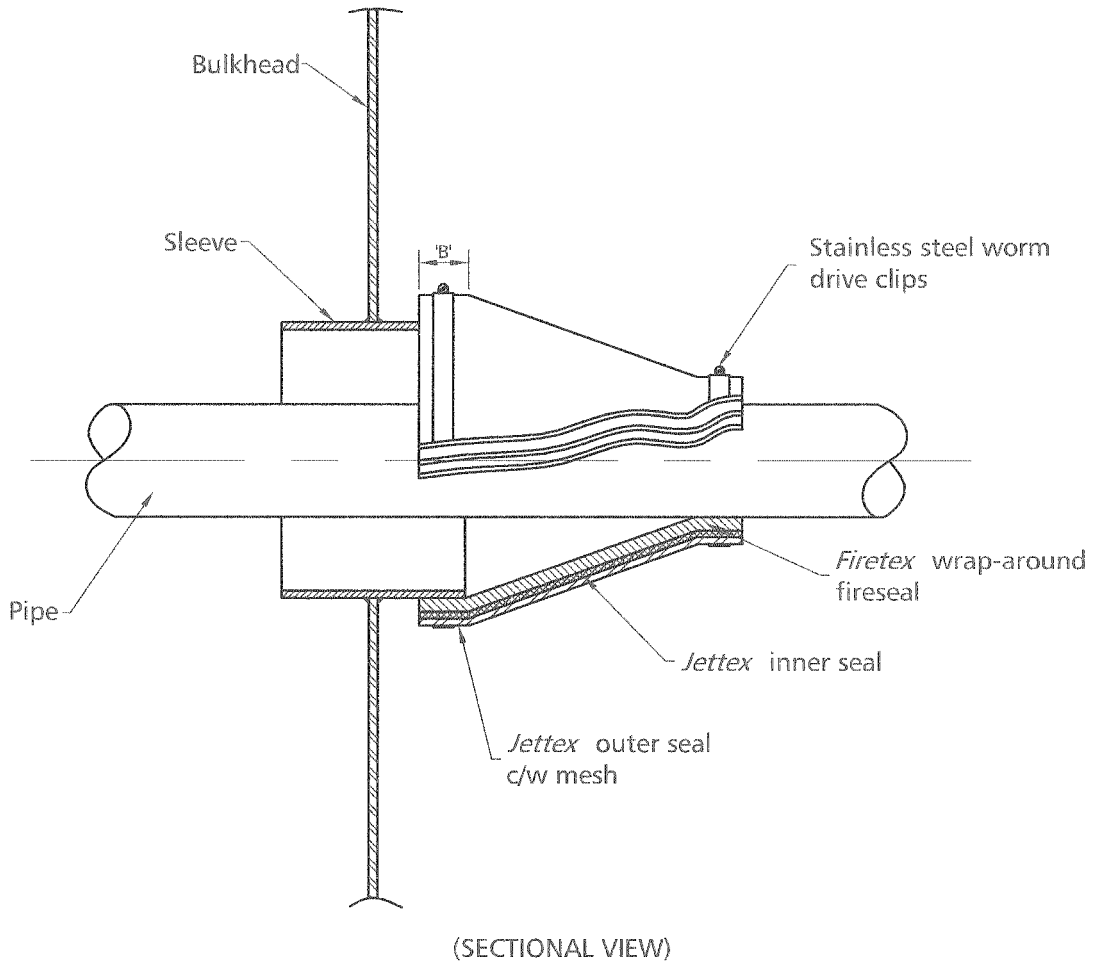
Sheet No	1 of 4
----------	--------

Name	M. Farrier Surveyor to Lloyd's Register EMEA A Member of the Lloyd's Register Group
------	---

Note:

This certificate is not valid for equipment, the design or manufacture of which has been varied or modified from the specimen tested. The manufacturer should notify Lloyd's Register of any modification or changes to the equipment in order to obtain a valid Certificate.

"Lloyd's Register, its affiliates and subsidiaries and their respective officers, employees or agents are, individually and collectively, referred to in this clause as the 'Lloyd's Register Group'. The Lloyd's Register Group assumes no responsibility and shall not be liable to any person for any loss, damage or expense caused by reliance on the information or advice in this document or howsoever provided, unless that person has signed a contract with the relevant Lloyd's Register Group entity for the provision of this information or advice and in that case any responsibility or liability is exclusively on the terms and conditions set out in that contract."



Notes:

CERTIFICATION: Tested to J120 in accordance with HSE standard OTI 95 634 Lloyds Register of Shipping, Certificate No. SAS F050037, valid to Feb 2010, Blast over-pressure to 1.35 bar g, Lloyds Register of Shipping Certificate No. LWT 401087/1.

MOVEMENT: MCL's engineering staff should be consulted for advice.

CLIPPING: Each seal is supplied with fitting instructions, adhesive and stainless steel worm drive clips to suit diameters. For diameters of 350mm and above 'double clipping' is required. The clipping length or cuff (B) is 30mm for single clips and 70mm for double clips.

Drawing Title:

STANDARD JETTEX PIPE PENETRATION
FLEXIBLE SEAL SYSTEM - J120



MCL UNITEX LTD
MCL House, Adams Close,
Heanor Gate Industrial Park,
Heanor, Derbyshire, DE75 7SW
Tel: +44 (0)1773 535365
Fax: +44 (0)1773 711874
Web: www.mclunitex.com

0	06/10/05	Drawing created	J.D.	I.K.
Rev	Date	Revision detail	Drn	Chk'd/App'd
Drawing Number			PPS-0410	
				REV 0